



AISI S911-17



AISI STANDARD

Test Standard for Determining the Flexural Strength of Cold-Formed Steel Hat-Shaped Members

2017 Edition



AISI S911-17



AISI STANDARD

Test Standard for Determining the Flexural Strength of Cold-Formed Steel Hat-Shaped Members

2017 Edition

Approved by
the AISI Committee on Specifications for the Design of
Cold-Formed Steel Structural Members

The material contained herein has been developed by the American Iron and Steel Institute Committee on Specifications for the Design of Cold-Formed Steel Structural Members. The organization and the Committee have made a diligent effort to present accurate, reliable, and useful information on testing of cold-formed steel members, components or structures. The Committee acknowledges and is grateful for the contributions of the numerous researchers, engineers, and others who have contributed to the body of knowledge on the subject. With anticipated improvements in understanding of the behavior of cold-formed steel and the continuing development of new technology, this material will become dated. It is anticipated that future editions of this test procedure will update this material as new information becomes available, but this cannot be guaranteed.

The materials set forth herein are for general information only. They are not a substitute for competent professional advice. Application of this information to a specific project should be reviewed by a registered professional engineer. Indeed, in most jurisdictions, such review is required by law. Anyone making use of the information set forth herein does so at their own risk and assumes any and all resulting liability arising therefrom.

1st Printing - April 2018

Produced by American Iron and Steel Institute

Copyright American Iron and Steel Institute 2018

PREFACE

The American Iron and Steel Institute Committee on Specifications developed this Standard to provide a test method for determining the nominal flexural strength [resistance] of an open hat shaped cross-section subject to *negative bending moment*.

The Committee acknowledges and is grateful for the contributions of the numerous engineers, researchers, producers and others who have contributed to the body of knowledge on this subject.

User Notes and Commentary are non-mandatory and copyrightable portions of this Standard.

This Page is Intentionally Left Blank.

**AISI Committee on Specifications for the Design
of Cold-Formed Steel Structural Members**

R. B. Haws, <i>Chairman</i>	Nucor Buildings Group
S. R. Fox, <i>Vice-Chairman</i>	Canadian Sheet Steel Building Institute
H. H. Chen, <i>Secretary</i>	American Iron and Steel Institute
D. Allen	Super Stud Building Products
P. Bodwell	Verco Decking, Inc.
R. L. Brockenbrough	R. L. Brockenbrough and Associates
J. Buckholt	Computerized Structural Design
J. K. Crews	Unarco Material Handling, Inc.
L. R. Daudet	Simpson Strong-Tie
R. S. Douglas	National Council of Structural Engineers Associations
W. S. Easterling	Virginia Polytechnic Institute and State University
D. Fulton	Triangle Fastener Corporation
R. S. Glauz	RSG Software, Inc.
P. S. Green	Bechtel Power Corporation
W. B. Hall	University of Illinois
G. J. Hancock	University of Sydney
A. J. Harrold	BlueScope Buildings North America
L. Kruth	American Institute of Steel Construction
R. L. Madsen	Supreme Steel Framing System Association
J. A. Mattingly	Consultant
W. McRoy	ICC Evaluation Service, Inc.
C. Moen	NBM Technologies, Inc.
J. R. U. Mujagic	Structural Engineering Consultant
N. A. Rahman	The Steel Network, Inc.
G. Ralph	ClarkDietrich Building Systems
V. E. Sagan	Metal Building Manufacturers Association
T. Samiappan	OMG, Inc.
A. Sarawit	Simpson Gumpetz & Heger
B. W. Schafer	Johns Hopkins University
K. Schroeder	Devco Engineering Inc.
T. Sputo	Steel Deck Institute
R. Ziemian	Structural Stability Research Council

Subcommittee 6 – Test-Based Design

L. R. Daudet, <i>Chairman</i>	Simpson Strong-Tie
H. H. Chen, <i>Secretary</i>	American Iron and Steel Institute
R. S. Douglas	National Council of Structural Engineers Associations
D. Fox	TOTAL JOIST By ISPAN Systems
S. R. Fox	Canadian Sheet Steel Building Institute
W. Gould	ICC Evaluation Service, Inc.
P. S. Green	Bechtel Power Corporation
W. B. Hall	University of Illinois
R. B. Haws	Nucor Buildings Group
R. L. Madsen	Supreme Steel Framing System Association
J. R. Martin	Verco Decking, Inc.
C. Moen	NBM Technologies, Inc.
J.R.U. Mujagic	Structural Engineering Consultant
T. M. Murray	Consultant
K. Peterman	University of Massachusetts Amherst
N. A. Rahman	The Steel Network, Inc.
G. Ralph	ClarkDietrich Building Systems
V. E. Sagan	Metal Building Manufacturers Association
T. Samiappan	OMG, Inc.
B. W. Schafer	Johns Hopkins University
M. Schmeida	Gypsum Association
R. Schuster	Consultant
F. Sesma	California Expanded Metal Products
M. Speicher	NIST Engineering Laboratory
T. Sputo	Steel Deck Institute
C. Yu	University of North Texas

AISI S911-17
TEST STANDARD FOR
DETERMINING THE FLEXURAL STRENGTH OF
COLD-FORMED STEEL HAT-SHAPED MEMBERS

1. Scope

1.1 This Standard establishes a test method for determining the nominal flexural strength [resistance] of an open hat-shaped cross-section member subject to *negative bending moment*.

1.2 This Standard is permitted to be used to evaluate the nominal flexural strength [resistance] of hat sections with or without a discrete intermediate bracing system based on test results.

1.3 This Standard does not purport to address all of the safety concerns, if any, associated with its use. It is the responsibility of the user of this Standard to establish appropriate safety and health practices, and determine the applicability of regulatory limitations prior to use.

Commentary:

This Standard can be used to establish the nominal flexural strength [resistance] of a particular open hat-shaped cross-section which is subjected to local, distortional and/or overall buckling.

2. Referenced Documents

The following documents or portions thereof are referenced within this Standard and shall be considered as part of the requirements of this document.

a. American Iron and Steel Institute (AISI), Washington, DC:

S100-16, *North American Specification for the Design of Cold-Formed Steel Structural Members*

b. ASTM International (ASTM), West Conshohocken, PA:

A370-16, *Standard Test Methods and Definitions for Mechanical Testing of Steel Products*

E6-15, *Standard Terminology Relating to Methods of Mechanical Testing*

IEEE/ASTM SI10-10, *American National Standard for Metric Practice*

3. Terminology

Where the following terms appear in this Standard they shall have the meaning as defined herein. Terms not defined in Section 3 of this Standard, AISI S100 or ASTM E6 shall have the ordinary accepted meaning for the context for which they are intended.

Negative Bending Moment. A moment which causes compression on the open side of the section.

Failure. A state at which the specimen will accept no additional load.

4. Symbols

a = Measured distance along member (See Figure 1)

b = Measured distance along member (See Figure 1)

L = Span length of the section tested, measured center-to-center of end supports (See

- Figure 1)
 P_{ts} = Failure load of single span system tested
 R = Support reaction
 t = Nominal base steel thickness exclusive of coating
 t_a = Average base steel thickness

5. Units of Symbols and Terms

Any compatible system of measurement units is permitted to be used in this Standard, except where explicitly stated otherwise. The unit systems considered in this Standard shall include U.S. customary units (force in kips and length in inches) and SI units (force in Newtons and length in millimeters) in accordance with IEEE/ASTM SI10.

6. Measurement Precision

6.1 Loads shall be recorded to a precision of ± 1 percent of the full range of the measuring device.

User Note:

The capacity (range) of the load-measuring device should be appropriate to the expected maximum tested load. The use of a measuring device with a calibrated capacity greatly exceeding the anticipated load is inappropriate. A target ratio of the load-measuring device capacity to specimen strength of no greater than three is recommended.

The tests should be conducted on a testing machine that complies with the requirements of ASTM E4-16, *Standard Practices for Force Verification of Testing Machines*.

6.2 Deflections shall be recorded to a precision of 0.001 in. (0.025 mm).

7. Test Fixture

7.1 The test machine shall be either hydraulic or screw-operated. In lieu of a test machine, the load shall be applied by either a hydraulic or a pneumatic cylinder.

7.2 The test specimen support fixtures and the testing machine ram shall have the capability of maintaining a constant loading direction throughout the test.

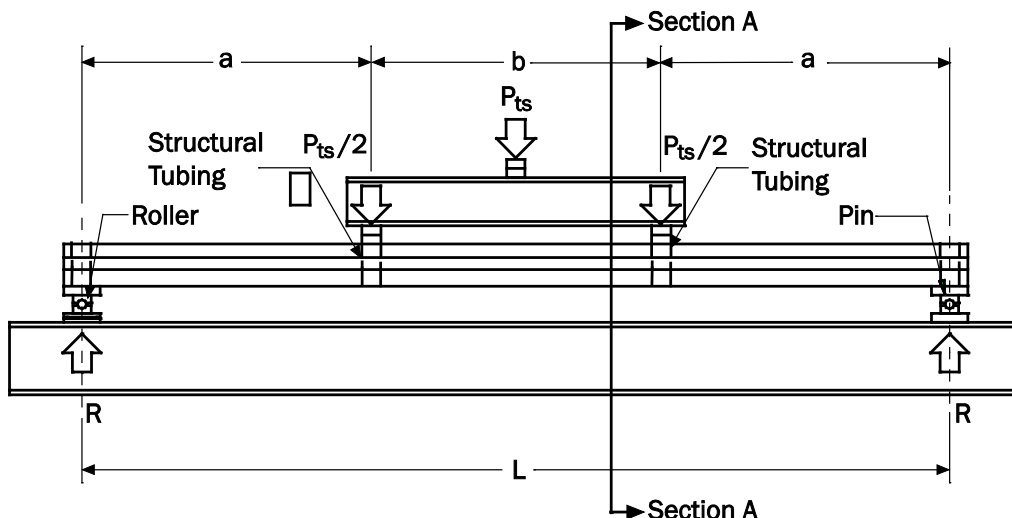


Figure 1 - Elevation of Test Fixture and Member

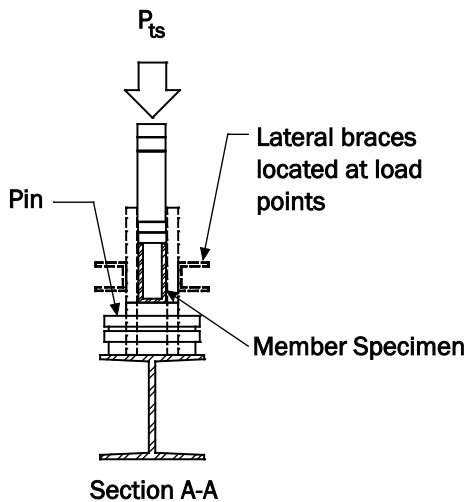


Figure 2 - Section of Test Fixture and Member

7.3 The lateral support fixtures used in the test shall be installed in such a manner so as not to impede the horizontal displacement of the open side of the section, i.e., the compression flanges and the vertical deflection of the specimen (See Figure 2).

8. Test Unit

8.1 A test unit shall include a minimum of three identical member specimens and a minimum of two corresponding sheet-type tensile specimens.

8.2 The specimens within a unit shall represent one type of cold-formed steel section with the same specified geometrical, physical, and chemical properties. The specimens are permitted to be taken from the same member or from different production runs provided the source of the specimens is properly identified and recorded.

8.3 If member specimens are taken from different production runs, at least two corresponding sheet-type specimens shall be taken and tested from each production run.

8.4 The test specimens shall be used to determine:

- (1) The actual geometry of each specimen.
- (2) The maximum member test load.

8.5 The tensile test specimens shall be used to determine the yield stress, tensile strength, and percent elongation of each member specimen in accordance with the requirements described in ASTM A370.

8.6 For each test specimen and test unit, the measured geometrical and tested mechanical properties of the individual specimens shall meet the requirements stated by the fabricator and material producer, respectively.

8.7 If the average area, thickness, or yield stress of a test unit varies by more than 20 percent from the specified-minimum value, the test unit shall be considered to be non-representative of the member section, and further evaluations are considered to be invalid.

9. Test Set-Up

9.1 The member specimen shall be supported at one end by a pin condition and at the other end by a roller condition. Lateral bracing at the member specimen ends and at load points is permitted.

User Note:

It is permitted to restrain the top flange (open portion of a hat section in compression) at the load points to replicate the in-place, fabricated assembly.

9.2 The member specimen shall be installed so as to cause compression on the open side of the hat section.

9.3 For tests including intermediate discrete point braces, the braces used in the test shall be installed in such a manner so as not to impede the lateral displacement of the compression flanges and the vertical deflection of the specimen.

9.4 Member specimen length, b , as shown in Figure 1, shall enable formation of each of the local buckling, distortional buckling, or overall buckling modes, and shall be determined as follows:

- (1) For local buckling determination, length b is taken as at least three times the maximum flat width of the section.
- (2) For overall buckling, length b is based on the maximum in-place unbraced length of the member.
- (3) For distortional buckling, length b is determined analytically or experimentally. If the length is determined analytically, b is taken as a minimum of four half-wave lengths as determined analytically by a finite strip or finite element analysis, where the half-wavelength is the one corresponding to the minimum distortional buckling. If the distortional buckling mode is not observed, the test specimen length is to be adjusted to achieve distortional buckling. If b is determined experimentally, an array of tests of differing lengths is performed until distortional buckling is observed. Length a , as shown in Figure 1, is to be chosen to achieve the desired applied bending moment, but not less than three times the depth of the specimen.

9.5 At the point of application of the loads, the webs of the member specimen shall be connected by self-drilling screws to a structural tube or other element simulating the truss web in such a manner to effectively restrain lateral movement of the web (See Figure 1).

9.6 Member *Specimen Source*. Member test specimens shall be cut from the commercially fabricated product or member test specimens shall be specially fabricated, provided care is taken not to exceed the cold work of forming expected in the commercial product. If the test specimen is specially fabricated, subsequent proof tests using specimens from commercially produced member shall be required and reported.

9.7 *Tensile Specimen Source*. Longitudinal tensile specimens shall be cut from the center of the widest flat of a formed section from which the member specimens have been taken, or the tensile specimens shall be taken from the sheet or coil material used for the fabrication of the member specimens. The tensile specimens shall not be taken from parts of a previously tested beam.

10. Test Procedure

10.1 A two-point load shall be applied to the system to produce a *negative bending moment* in the test specimen (See Figure 1).

10.2 The specimen shall be centered on the axis of the test machine.

10.3 The load increments applied during the test shall not exceed 10 percent of the estimated maximum test load.

10.4 The test specimen shall be loaded to *failure*, P_{ts} , and the mode of *failure* reported.

10.5 The maximum loading rate between load increments shall not exceed a corresponding applied stress of 3 ksi (21 MPa) at the extreme fiber of the gross cross-section per minute.

10.6 Deflections of the specimen are permitted to be measured during the test. When deflections are recorded, the following procedures shall be required:

- (1) The deflection shall be measured to the nearest 0.001 in (0.0254 mm) at each load increment, and
- (2) The load increments applied during the test shall be the same for each specimen within a test unit, with a variation not to exceed one percent.

11. Data Evaluation

11.1 Extrapolations beyond 20 percent of the extreme parameters tested shall not be permitted.

12. Test Report

12.1 The report shall include a complete record of the sources and locations of all members and tensile-test specimens, and shall describe whether the specimens were taken from one or several members, or several production runs, coil stock, or other sources.

12.2 The documentation shall include all measurements taken for each member test specimen, including: (1) cross-section dimensions, (2) uncoated sheet thickness, (3) yield stress, (4) tensile strength, (5) percent elongation, (6) applicable material specification, (7) manufacturer, (8) test setup characteristics such as lateral brace locations and bearing stiffeners, and (9) evaluation procedure used.

12.3 The determination of the selected member span shall be fully documented with appropriate calculations.

12.4 A description of the test setup and the instrumentation used shall be included.

12.5 The report shall include the load increments, rate of loading, ultimate loads and observations made during the test for each member tested.

12.6 The report shall state any visual observations recorded that are pertinent to the performance of the test specimen(s).

12.7 The report shall provide the data required (number of tests, coefficient of variation of the test load, etc.) for the determination of resistance factor, ϕ , and safety factor, Ω , in accordance with Section K2.1 of AISI S100.



25 Massachusetts Avenue NW
Suite 800
Washington, DC 20001
www.steel.org





**American
Iron and Steel
Institute**

25 Massachusetts Avenue NW
Suite 800
Washington, DC 20001
www.steel.org

